



CINCINNATI
INDUSTRIAL MACHINERY
 Manufacturer of Alvey® Washing Equipment



Alvey® GI & GI-2 Garbage Can Washers

No commercial kitchen facility is complete without an Alvey® washer

The Alvey® Model GI-1 and GI-2 waste can washers quickly and efficiently wash and sanitize waste receptacles in fully contained stainless steel cabinets. No longer is it necessary to devote a separate room for washing waste receptacles. The cabinet design allows the operator to simply place the can into the washing chamber, close the door, and push the 'start' selector switch. The GI series washers do the rest!

Features

Wash Chamber

Nozzles are designed to wash and rinse both inside and outside of containers
 GI-1 accepts cans up to 36" high X 22" in diameter
 GI-2 accepts cans up to 25" X 32" X 42" (64 gallon)
 Has 3 programmable cycles
 Cycles are based on available utilities

Housing

14 gauge 304 stainless steel construction
 Adjustable sanitary feet
 Heavy duty stainless steel door
 Removable filter basket

Additional Features

Fully automatic cycle and completely self contained
 Safety door limit switch
 Heavy duty stainless steel construction
 Compact space-saver design
 High volume processing
 Steam compatible

Specifications

Fixed Cycles:

Cold wash: 45 seconds; Steam spray: 30 seconds;
 Hot rinse: 15 seconds



Required water flow rates

Cold Wash: 21 GPM @ 40 PSIG & Ambient
 Hot Rinse: 21 GPM @ 40 PSIG & 140°F

Required steam flow rate

Steam spray: 125 lbs/hour @ 10 PSIG
 (saturated steam)

Consumptions per cycle:

Cold wash: 15.75 gallons;
 Hot rinse: 5.25 gallons
 Steam spray: 1.04 gallons

Power

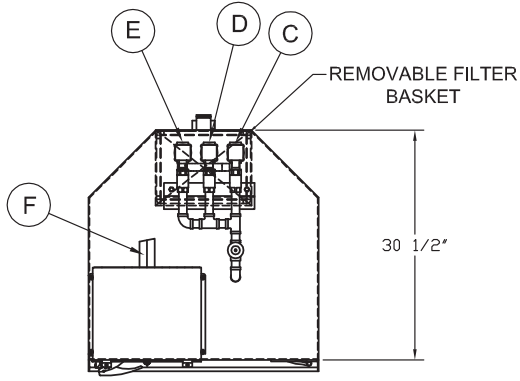
120 volts
 1 PH.
 60 HZ
 FLA=1

4600 N. Mason Montgomery Road • Mason, OH 45040
 888-677-0076 • Fax: 513-923-5694
 sales@alveywashing.com • www.alveywashing.com
 A Subsidiary of The Armor Group, Inc.



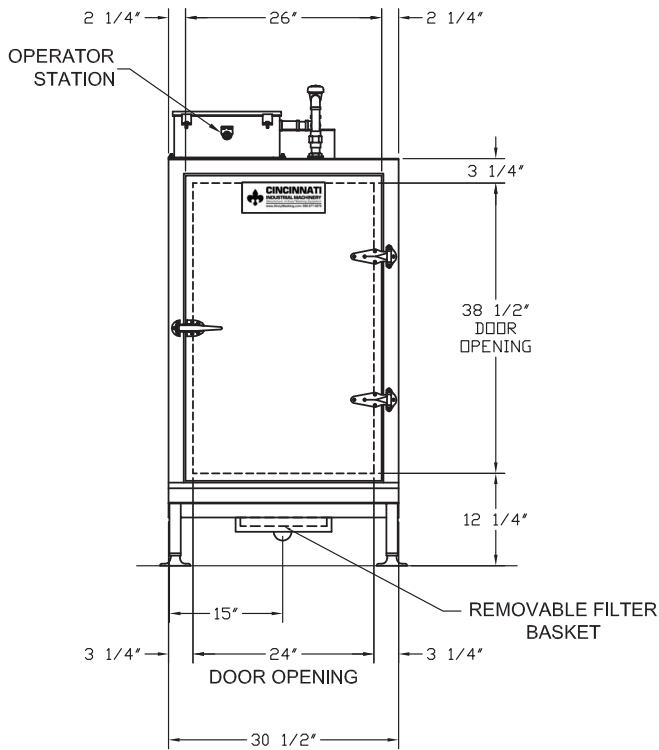


Alvey® GI & GI-2

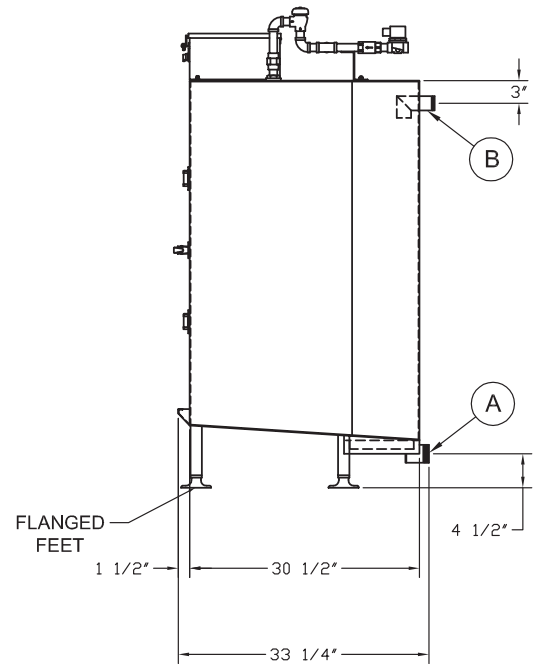


PLAN VIEW

Detailed Dimensions



FRONT ELEVATION



RIGHT SIDE ELEVATION