



**CINCINNATI**  
**INDUSTRIAL MACHINERY**  
Manufacturer of Alvey® Washing Equipment

# Alvey® KS-48 Cart & Rack Washer

**No commercial kitchen facility is complete  
without an Alvey® washer**

The Alvey® Model KS-48 is a walk-in cabinet washer designed for high volume washing in a tight space. This stainless steel cabinet washer features roll in convenience for cleaning racks, carts, pots, pans, and utensils. The KS-48 can be floor or pit mounted and optional racks are available.

## Features

### Wash Chamber Housing

- 43" long by 32" wide by 76" high
- Constructed of type 304 stainless steel with polished finish
- Panel-Z type interlocking double flange type seal
- Holds 48 sheet pans
- Four rotating spray assemblies for complete coverage
- Stainless steel wash nozzles
- Stationary rinse arms with brass nozzles on each side
- 9.4 gallons of fresh water rinse is used to replenish wash tank each cycle

### Wash Pump

- 15 HP TEFC (totally enclosed, fan cooled) motor, vertically mounted pump
- 240 GPM at 55 PSI
- Stainless steel wash and rinse pipes
- Pump protection screen

### Tank and Housing

- Constructed of double welded 14 gauge type 304 stainless steel
- 60 gallon tank capacity
- Removable stainless steel filter screens

### Door

- 32" wide by 76" high opening
- Constructed of 16 gauge type 304 stainless steel
- Interior safety release latch
- Triple-hung (3 hinges) door for added durability



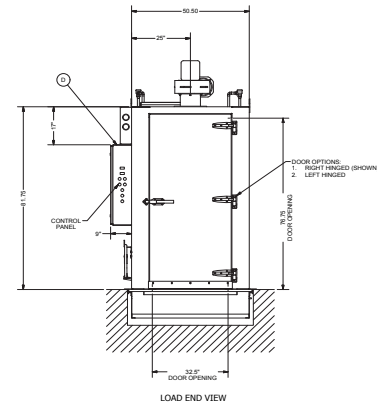
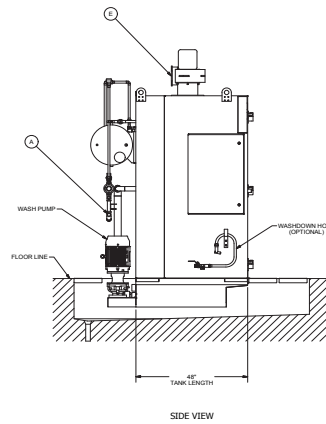
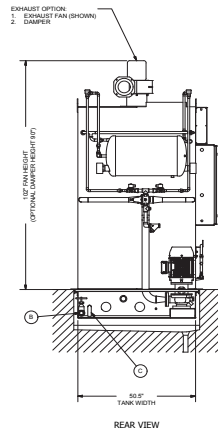
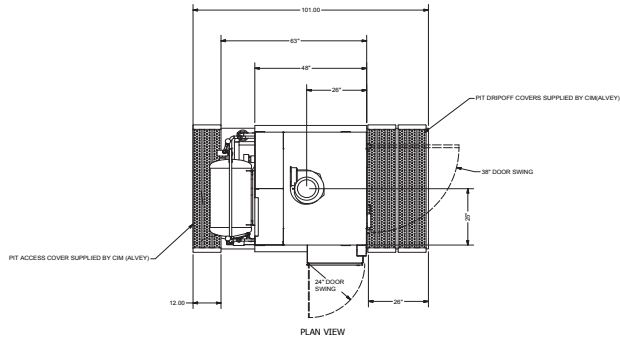
### Control Panel

- UL listed type 4X stainless steel panel
- Three pre-set cycle times
- Automatic water fill
- Electronic temperature control
- Digital wash and rinse temperature indicators
- Wash and rinse pressure gauges

### Additional Features

- NSF Certified
- Pit mounted
- Easy access drain
- Safety guard rails
- High capacity exhaust fan

## Detailed Dimensions



## Accessories and optional equipment

- Insulated housing
- Wash down hose and nozzle
- Oversized and custom designed units
- Prison Package
- Warm rinse heat booster for gas, electric or steam

### Heating Options

- Stainless steel steam heated coils
- Electric immersion heaters

### Voltage Options

- 208V
  - 220/240V/3PH/60HZ
  - 460/480V/3PH/60HZ
- International options available

## Optional baskets for Alvey® Model KS-48

Model #	Description	Products
R01022	Assorted pan cart (6) 3 1/2" x 36" long baskets	Cake pans, muffin pans
R01025	Asstd pan cart (4) 6 1/2 & (2) 8 1/2 x 36" long baskets	Steam table inserts, pots
R01080	Sheet pan rack. Holds 48 18" x 26" sheet pans	Bun pans, trays
R01024	Holds buckets and bowls on 3 shelves	Mixing bowls, buckets
B18354	Utensil basket. Must be used with 5 1/2 basket	Kitchen utensils

Contact us today

4600 N. Mason-Montgomery Road | Mason, OH 45040

513-923-5601 | Sales@AlveyWashing.com

[www.AlveyWashing.com](http://www.AlveyWashing.com)

