



ALVEY



Alvey GI-1 & GI-2 Garbage Can Washers

The Alvey® Model GI-1 and GI-2 both washes and sanitizes waste receptacles on-site in a fully contained stainless steel cabinet.

No longer is it necessary to devote a separate room for washing waste receptacles. The cabinet design allows the operator to simply place the can into the washing chamber, close the door, and push the 'start' selector switch. The GI series washers do the rest!

Features

Wash Chamber

- Nozzles are designed to wash and rinse both inside and outside of containers
- GI-1 accepts cans up to 36" high X 22" in diameter
- GI-2 accepts cans up to 25" X 32" X 42" (64 gallon)
- Cycles are based on available utilities

Housing

- 14 gauge 304 stainless steel construction
- Adjustable sanitary feet
- Heavy duty stainless steel door
- Removable filter basket

Additional Features

- Fully automatic self contained cleaning
- Safety door limit switch
- Heavy-duty stainless steel construction
- Compact space-saver design
- Steam compatible

Specifications

Fixed Cycle:

- Cold wash: 45 seconds
- Steam spray: 30 seconds
- Hot rinse: 15 seconds

Required Water Flow Rates

- Cold Wash: 21 GPM @ 40 PSIG & Ambient
- Hot Rinse: 21 GPM @ 40 PSIG & 140°F

Required Steam Flow Rate

- Steam spray: 125 lbs/hour @ 10 PSIG (saturated steam)

Consumptions Per Pre-Programmed Cycle:

- Cold wash: 15.75 gallons
- Steam spray: 1.04 gallons
- Hot rinse: 5.25 gallons

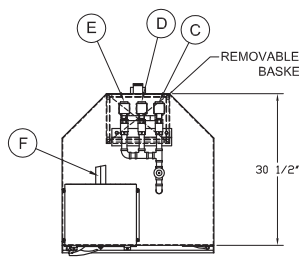
Power

120 volts | 1 PH. | 60 HZ | FLA=1

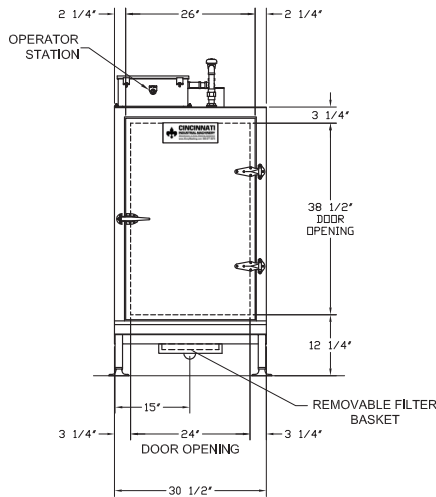


Alvey GI-1 & GI-2

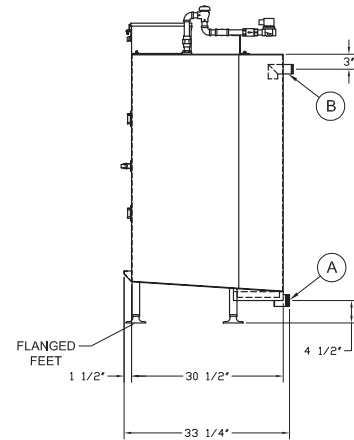
Alvey® GI-1 Detailed Dimensions



PLAN VIEW

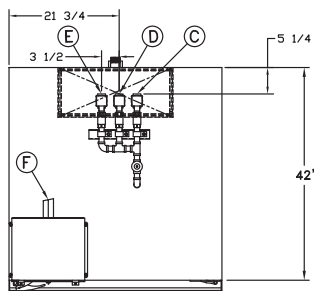


FRONT ELEVATION

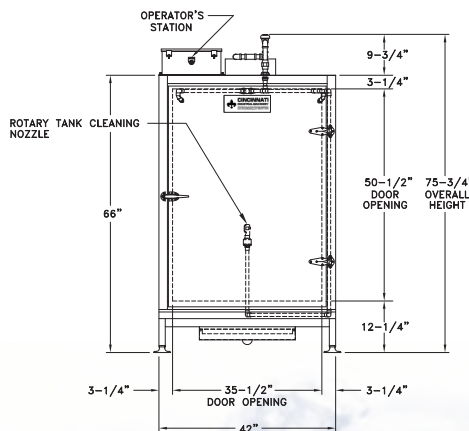


RIGHT SIDE ELEVATION

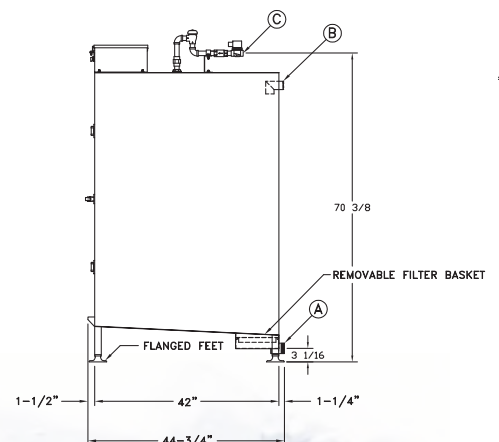
Alvey® GI-2 Detailed Dimensions



PLAN VIEW



FRONT ELEVATION



RIGHT SIDE ELEVATION

Contact us today

4600 N. Mason-Montgomery Road | Mason, OH 45040 | 513-923-5601 | sales@AlveyWashing.com

www.AlveyWashing.com

